

# Quick Operation Guide

## IP Camera



# Precautions

The content is to make sure your operations of the products are strictly in accordance with this manual, so as to prevent danger or loss of property. So please read the manual carefully and keep it for your future reference before using the products.

As shown below, the preventive measures is divided into "Warning" and "Attention":

**Warning:** Without Warning may lead to death or serious injury.

**Attention:** Without attention may lead to injury or loss of property.

	
<b>Warning</b> To remind users to keep away from potential death or danger of serious injury.	<b>Attention</b> To remind users to keep away from potential injury or danger of property from loss



Warning:

Please use the required power meets SELV (safety extra-low voltage circuit) to supply. In the accordance of IEC60950-1 ,the power should comply with the rated voltage of DC 12V and AC 24V (Depends on the specific model) of Limited Power Source.

If the equipment works abnormal, please contact your purchasing store or the nearest service center. Do not disassemble or modify the equipment in any methods.( If do without permission, user will be responsible for the result.)

- In order to reduce the risk of fire or electric shock, please prevent the product from raining and moisture.
- The installation should be done by the professionals and comply with local regulations.
- Please install the easy-used electric failure equipment into wiring of the building.
- The instruction of equipment installation on the ceiling: After installation, please to make sure the connection can withstand 50Newton(N) downward pull .



Attention:

- Before the camera running, please make sure whether the supply power is right.
- Please do not drop off or heavily strike the product.
- Please do not touch the image sensor optical element. If it is necessary to clean, please use the clean cloth slightly moist with alcohol to wipe dust; When not in use, please cover the lens to protect the image sensors.
- Please avoid focusing at glare (e.g. lighting, sunlight etc.), or it will be resulting in too bright or colorful vertical stripes on the screen (which is not camera's error) and affect life of image sensors.
- The laser beam may burn down image sensors. When the installation of laser beam used, please make sure that the surface of image sensors does not expose under the laser beam.
- Please avoid followed places: moisture, dusty, hottest, coldest (Normal work temperature range: -14°F~+ 140°F) and strong electromagnetic radiation etc.
- Please do not accumulate more heat and maintain ventilation flow around the camera.
- When using the camera, please do not make water and any liquid flow into it.
- When delivering the camera, please packing as shipping out or with the same quality material of the factory.
- Parts change regularly: Some parts of the products (e.g. Electrolytic Capacitors) should change regularly according to their average lifespan. Their lifespan would be different for the using environment and using time, so please check them regularly. For more information, please consult with your purchasing distributors.

# Index

<b>1 Product Introduction</b> .....	<b>4</b>
1.1 Product Features.....	4
1.2 Parts description.....	4
<b>2 Installation</b> .....	<b>6</b>
2.1 Camera Installation.....	6
<b>3 Quick Operation</b> .....	<b>8</b>
3.1 Network Connection .....	8
3.2 Quick Access.....	8

# 1 Product Introduction

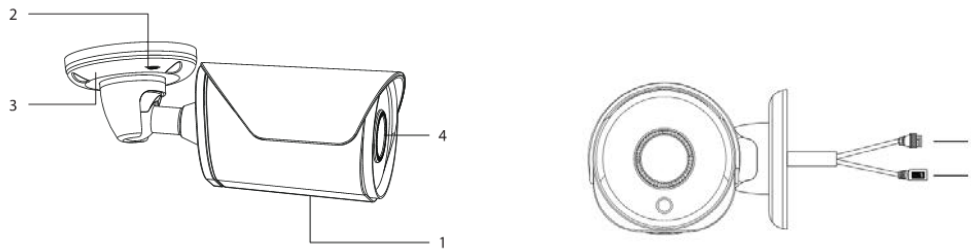
## 1.1 Product Features

IP Camera is an embedded digital surveillance product that integrates the traditional analog camera and network video server. It uses an embedded operating system and a high-performance processing platform, high efficient system scheduling and its code is curing in Flash. It's small size with the high stability and reliability. The key features as follows:

- Use the advanced video compression, support advanced H.265 encoding and flexible processing, support variable bit rate, limit the compression encoding of video image when setting the quality of video image.
- Support triple-stream, mobile surveillance and through private network.
- Multiple alarm function: Dynamic detection, abnormal Network and occlusion detection etc..
- Support search the real time video by client software or browsers, setting the parameter to check the camera and realize the alarm linkage and saving through network.
- Support POE function
- Support TCP/IP, UDP, HTTP, DHCP, RTP/RTSP, DNS, DDNS,FTP, NTP,PPPOE, UPNP, SMTP etc..
- Anti-lightning shock, conform to IP67
- Support remote network upgrade and maintenance.

## 1.2 Parts description

The series of IP Cameras consist of body and interfaces as following pictures:



1-1 Parts description

0	Name	Descriptions
1	Camera Body	Body
2	Hex Screw	Adjust the 3 Dimension
3	Camera Base	Base
4	Lens	Lens
5	Network cable	RJ45 connector, PoE
6	Power cable	DC 12V

## 2 Installation

Please make sure the equipment intact and every part complete before the installation.

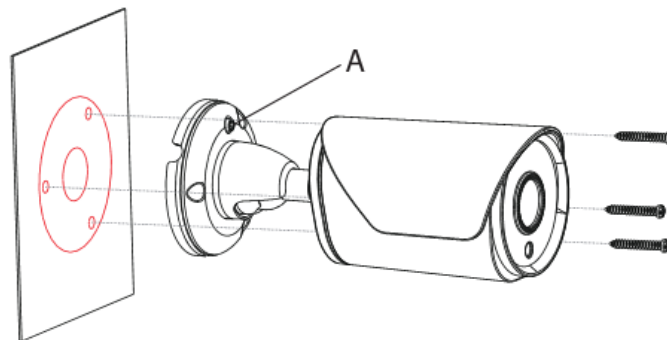
The series cameras usually have two types installation: wall or ceiling. This part takes ceiling type as an example to introduce its installation procedure which wall installation takes for reference.

### 2.1 Camera Installation



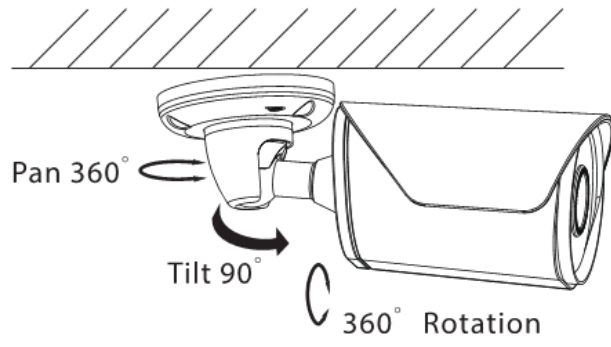
**Attention:** Wall installation should be with a certain thickness and stand triple weight of the camera at least.

- 1. Drill Template:** To take out the attached drill template and paste it on the wall.
- 2. Camera installation:** The series camera is in the integrated brackets structure. Please use 3pcs PA4 screws to fix the basement of the camera at the installation location.



2-1 Camera Fixation

- 3. Three-axis brackets adjustment:** To loosen the camera body's screws to adjust the three-axis. Adjust the connection between brackets and basement by axis to implement  $0^{\circ}\sim 360^{\circ}$  in the horizontal direction; Adjust the spherical joint of brackets can achieve  $0^{\circ}\sim 90^{\circ}$  in the vertical direction and  $0^{\circ}\sim 360^{\circ}$  in the rotational direction. Please tighten the screws after adjusting the camera image to the right scene. All the installation has finished.



2-2 3-Dimension adjustment



## 3 Quick Operation

### 3.1 Network Connection

First to make sure the proper connection of the camera. Meanwhile, please check the PC's local network state. If the state shows "✖", the network connection is error.

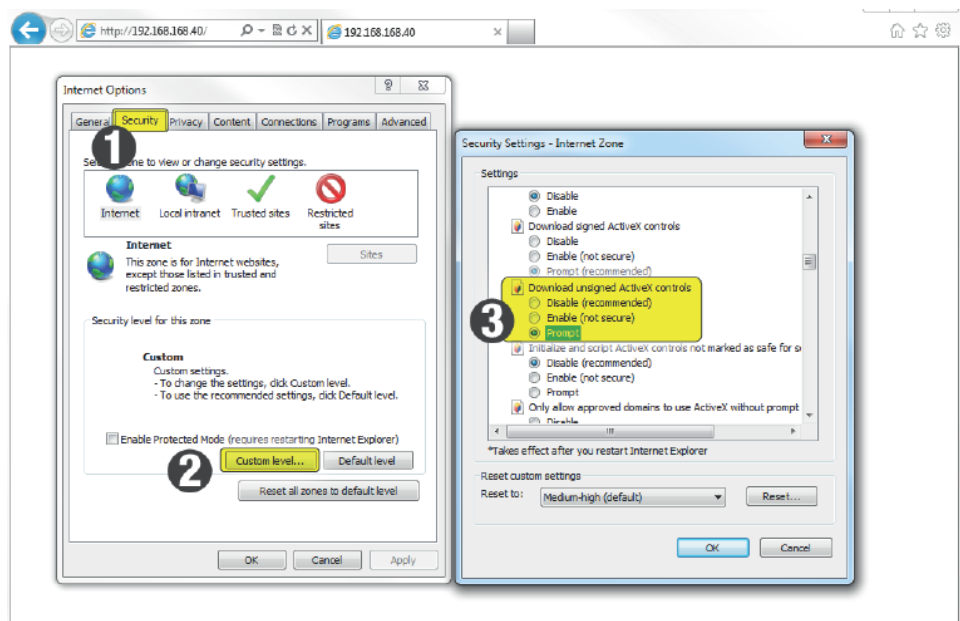
The initial default IP address of the Camera is 192.168.1.86, please set IP address, Subnet mask and gateway for your computer.

Please make sure the proper setting of IP address. You can check network connection by tool "Ping" attached with the system after the setting.

### 3.2 Quick Access

The proper network connection can support multiple browsers, e.g. Internet Explorer, Firefox, Chrome etc.. To preview the camera by IE Browser, please see the operating steps as follows:

1. Open your Internet Explorer and choose Tools/ Internet Options/ Security /Custom Level, then check "Enabled" or "Pop Up" under "ActiveX Control and Plug -in" and set the security level lower.



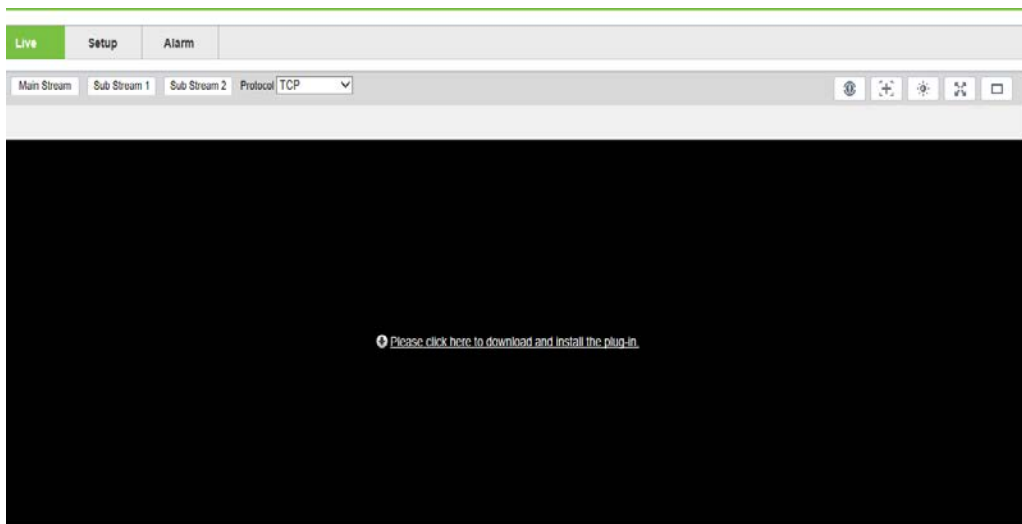
3-1 Set ActiveX Control and Plug-in

2. Please enter the camera's IP address in the address bar and click "Enter", the log-in interface will be shown up. Then input your camera's "User Name" (Default: admin), "Password" (Default: 123456) and click "Log in".



3-2 Log in

3. The following interface will pop up a link "Please download the plug-in by clicking here" when you log in. Please click it and install the plug-in then restart your browser to log in.



3-3 Download Plug -in

4. Browsing the interface.



Attention: The detail function and configuration of IE Active and Client Software, please read the IP Camera operation manual from the official website.

ZK Building, Wuhe Road, Gangtou, Bantian, Buji Town,  
Longgang District, Shenzhen China 518129

Tel: +86 755-89602345

Fax: +86 755-89602394

[www.zkteco.com](http://www.zkteco.com)

